

ACE EQUIPMENT COMPANY

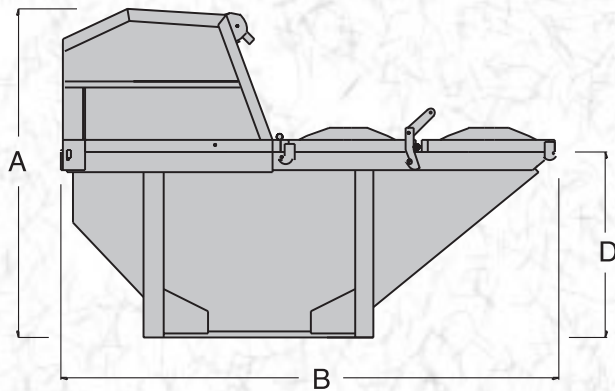


RL-6

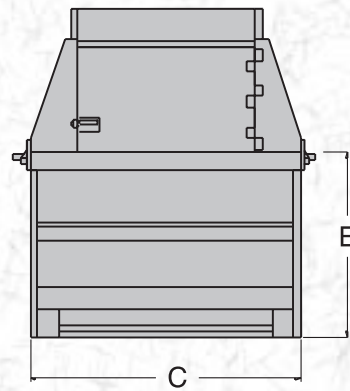
6 CUBIC YARD SELF CONTAINED COMPACTOR

DESIGNED SPECIFICALLY FOR: SUPERMARKETS - RESTAURANTS - HOTELS - HOSPITALS - SCHOOLS - NURSING HOMES

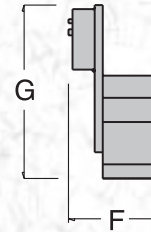




SIDE ELEVATION

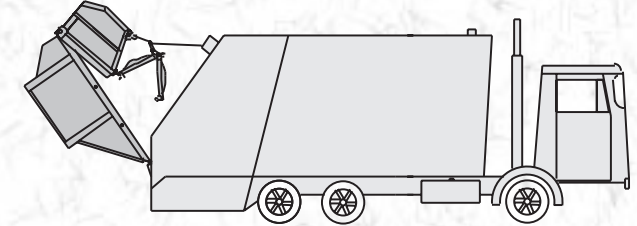


FRONT ELEVATION



REMOTE POWER UNIT

DIMENSIONS						
A	B	C	D	E	F	G
89"	134"	71"	50"	50-1/2"	28"	45"
TRUNION BAR OAL			78"			
FEED DOOR			48"W x 28"H			



Specifications

Charge Box Capacity MFRS. Rating	.73 Cubic Yards
Container Capacity	6 Cubic Yards
Charge Box Opening	48" Width - 28" Height
Feed Height	50 1/2"

Hydraulics

Normal Pressure	2,100 P.S.I.
Maximum Pressure	2,400 P.S.I.
Hydraulic Cylinder	4" Bore - 2" Rod
Weight	3050 Lbs.

Electrical

Electric Motor	3 H.P.
3 Phase / 60 HZ. / 208-230 / 460 VAC	

Performance

Cycle Time: Open	13 Seconds
Compact	17 Seconds
Total Normal Force	26,400 Lbs.
Total Maximum Force	30,200 Lbs.
Ram Penetration	18" Into Container

Features & Benefits

- ◆ The feed door features two safety interlocks, a mechanical and hydraulic interlock which makes the compactor safe, with no electrical connections for the hauler.
- ◆ Liquid tight construction of the container with continuous welding inside and outside.
- ◆ The compactor and container are built in a fixture to assure consistent and accurate construction every time.
- ◆ Key operated controls means only authorized personnel can operate the compactor.
- ◆ The ease of operation makes the RL - 6 simple to operate, insert key and turn to open, the light comes on and its ready to receive trash, shut the door and turn key to pack.
- ◆ The innovative contoured lids helps the trash to churn and create greater compaction.
- ◆ The unique design of the lids and latching mechanism allow the lids to unlatch upon emptying, and automatic relatch, there is no turnbuckle to unlatch.
- ◆ Swing feed door, not a dangerous spring loaded lid.
- ◆ Remote power unit with 11' hoses and quick disconnect.
- ◆ The packer pivots up when emptying this allows easier dumping, without pinching of the trash.

Optional Equipment:

- ◆ Oil heater for power unit
- ◆ 110 volt single phase operation
- ◆ Remote control instead of panel box
- ◆ Extra length on hydraulic hoses



ACE Equipment Company
 2843 County Road Y
 Aniwa, WI 54408
 (715) 449-3117

LEASING PROGRAM AVAILABLE