

ACE EQUIPMENT COMPANY



Made in USA

Manufactured
from start to finish
in Antigo, WI

MASTER PAK

VERTICAL COMPACTORS

Our cylinders are manufactured in the USA!



EQUIPMENT COMPANY

Trash Compactors & Balers

ANTIGO, WI 715-627-2400

aceequipmentcompany.com

MASTER PAK 2, 4, 6, 8 YARD FRONT LOAD COMPACTORS

Specifications

Master Pak

Clear Top Opening	24" x 48"
Charge Chamber	.75 Cubic Yards

Structural Specifications

Wall Thickness	1/4" Plate
Platen	1/4" Plate
Side Walls	1/4" Plate
Door	3/16" Plate

Electrical Specifications

Electric Motor	3.0 HP
3 Phase / 60 HZ / 208-230-460 VAC	
Standard Controls	Keyed Stop, Start, Up and Reverse

Performance

Cycle Time	30 Sec.
Maximum Force	33,144 Lbs.
Ram Penetration	18"
Weight	4800 Lbs.

Features & Benefits

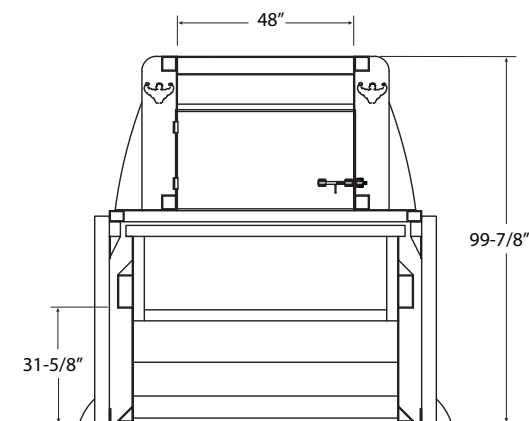
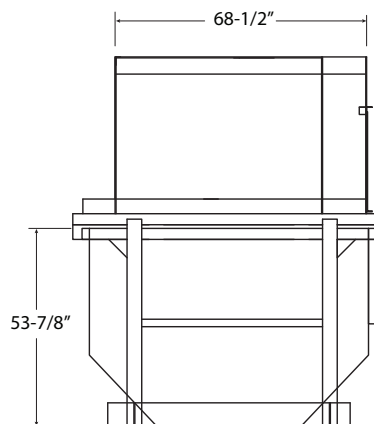
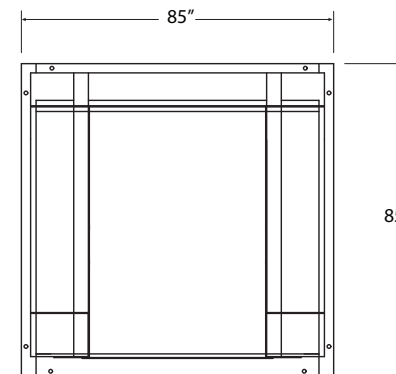
- Front or Rear Load Container.
- Front or Rear Load Feed.
- Key operated controls.
- Contoured container for greater compaction force.



Optional Equipment

- Optional single phase electric motor.
- Low temperature oil.
- Keypad start.
- Low oil shutdown.

Dimensions shown are for the 6 yard compactor.



Manufactured
from start to finish
in Antigo, WI

ACE Equipment Company
W9112 Cherry Road
Antigo, WI 54409
Phone: 715-627-2400
Fax: 715-627-2402

Website: www.aceequipmentcompany.com
email: aceequipmentcompany@msn.com



© Copyright 2021 ACE Equipment Co. ACE Equipment Company specifications are subject to change without notice in order to accommodate improvements to its equipment.