

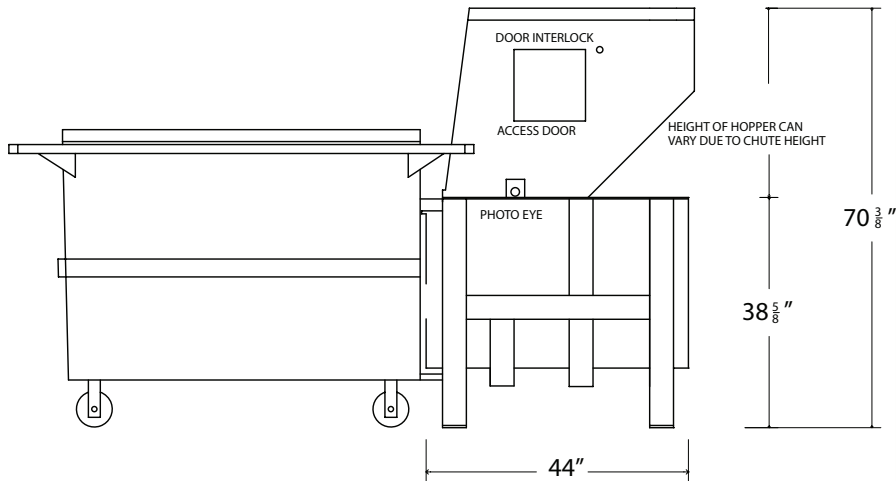
# ACE EQUIPMENT COMPANY



**BUILT TUFF**  
  
**ACE**  
EQUIPMENT COMPANY  
Trash Compactors & Balers  
ANTIGO, WI 715-627-2400  
aceequipmentcompany.com

**A.5**

**APARTMENT COMPACTOR**



# A.5 APARTMENT COMPACTOR

## Specifications

Charge Box Capacity MFRS. Rating	.39 Cubic Yard
Clear Top Opening	30" x 24"

## Structural Specifications

Charge Box Sides	1/4"
Charge Box Floor	3/8"
Ram Face Plate	3/8"
Ram Bottom	3/8"

## Electrical Specifications

Electric Motor	3 HP
3 Phase / 60 HZ. / 208-230 / 460 VAC	
Standard Controls: Keylock, Start, Stop, Reverse	

## Performance

Cycle Time	29 Seconds
Maximum Force	17,800 LBS
Ram Penetration	5"
Weight	1,800 LBS

## Features & Benefits

- Photoelectric control to start up compactor
- Access door with interlock
- Startup alarm with strobe light
- Single side ratchet
- Computer controlled, no limit switch
- Push Button Controls mounted in the panel box face or 12' cealtite
- Hopper with access door and interlock for hand feed or chute feed applications
- Full container light
- Single phase power units available
- Auto shut down for blocked photo eye

Copyright 2012 ACE Equipment Co. ACE Equipment Company specifications are subject to change without notice in order to accommodate improvements to its equipment.

ACE Equipment Company  
 W9112 Cherry Road  
 Antigo, WI 54409  
 Phone: 715-627-2400  
 Fax: 715-627-2402

Website: [www.aceequipmentcompany.com](http://www.aceequipmentcompany.com)  
 email: [aceequipmentcompany@msn.com](mailto:aceequipmentcompany@msn.com)

